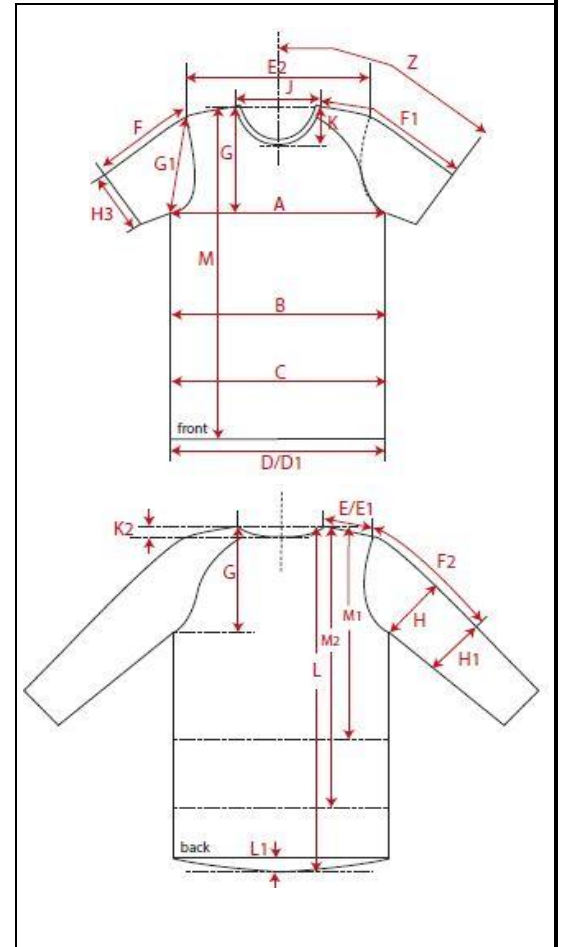


Fertigmaße in cm für Größe cm for size	measurements in cm for size	CODE	TOLERANCE (+/-)	XS	IS	S	IS	M	IS	L	IS	XL	IS	XXL	IS	3XL	IS	4XL	IS	5XL	IS	6XL	IS	
front length from HSP		M	1	64,00		66,00		68,00		70,00		72,00		74,00		75,00		76,00		77,00				
1/2 chest width		A	1	53,50		56,50		59,50		62,50		65,50		68,50		73,00		77,50		82,00				
1/2 waist width		B	1	49,50		52,50		55,50		58,50		61,50		64,50		69,00		73,50		78,00				
waist position from HSP		M1	0,5	44,30		44,90		45,50		46,10		46,70		47,30		47,90		48,50		49,10				
1/2 hem width		D	1	40,00		43,00		46,00		49,00		52,00		55,00		59,50		64,00		68,50				
shoulder to shoulder		E2	1	43,20		44,60		46,00		47,40		48,80		50,20		52,30		54,40		56,50				
sleeve length from shoulder (set in)		F	1	68,20		68,60		69,00		69,40		69,80		70,20		70,60		71,00		71,40				
armhole straight (set in)		G1	1	23,20		24,10		25,00		25,90		26,80		27,70		28,60		29,50		30,40				
1/2 upper arm width		H	0,5	20,00		21,00		22,00		23,00		24,00		25,00		26,50		28,00		29,50				
1/2 elbow width		H1	0,5	19,10		19,80		20,50		21,20		21,90		22,60		23,60		24,60		25,60				
elbow position from shoulder (set in)		F2	0,5	35,00		35,50		36,00		36,50		37,00		37,50		38,00		38,50		39,00				
1/2 sleeve hem width		H3	0,5	8,20		8,60		9,00		9,40		9,80		10,20		10,80		11,40		12,00				
sleeve height/ sleeve cuff height		V1	0,5			6,00		6,00		6,00		6,00		6,00		6,00		6,00		6,00				
hem height/ hem cuff height		V	0,5			6,00		6,00		6,00		6,00		6,00		6,00		6,00		6,00				
1/2 neck width		J	0,5	17,80		18,40		19,00		19,60		20,20		20,80		21,70		22,60		23,50				
front neck drop		K	0,5	9,90		10,20		10,50		10,80		11,10		11,40		11,85		12,30		12,75				
back neck drop		K2	0,5	2,50		2,50		2,50		2,50		2,50		2,50		2,50		2,50		2,50				
collar height C/F		S	0,5	4,00		4,00		4,00		4,00		4,00		4,00		4,00		4,00		4,00				
pocket opening		U	0,5	16,50		16,50		17,00		17,00		18,00		18,00		19,00		19,00		19,00				



REMARK